

Oferta w Euro !
Fakturowanie w PLN po kursie średnim NBP,
obowiązującym w dniu płatności.

Minimum zakupu każdego z modeli po 2 szt.

Produkty duńskie.

Model Raidho FTT 75–30-8

Podmioty z branży audio
Euro/szt. 210,- + 22 % vat

Detaliczna
Euro/szt. 252,- + 22 % vat

Model Raidho FTT 75-25-81

Podmioty z branży audio
Euro/szt. 81,60 + 22 % vat

Detaliczna
Euro/szt. 97,92 + 22 % vat

Raidho Ribbon

FTT75-25-8

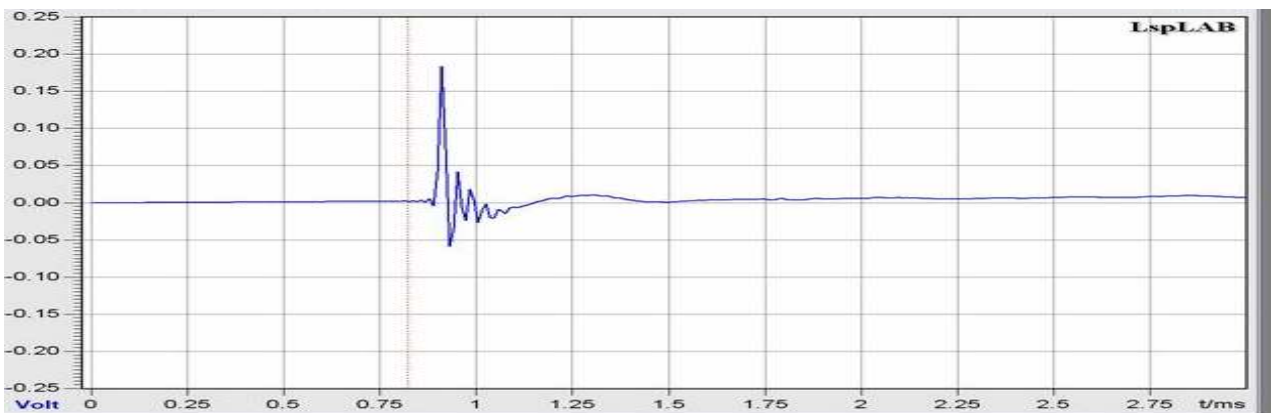
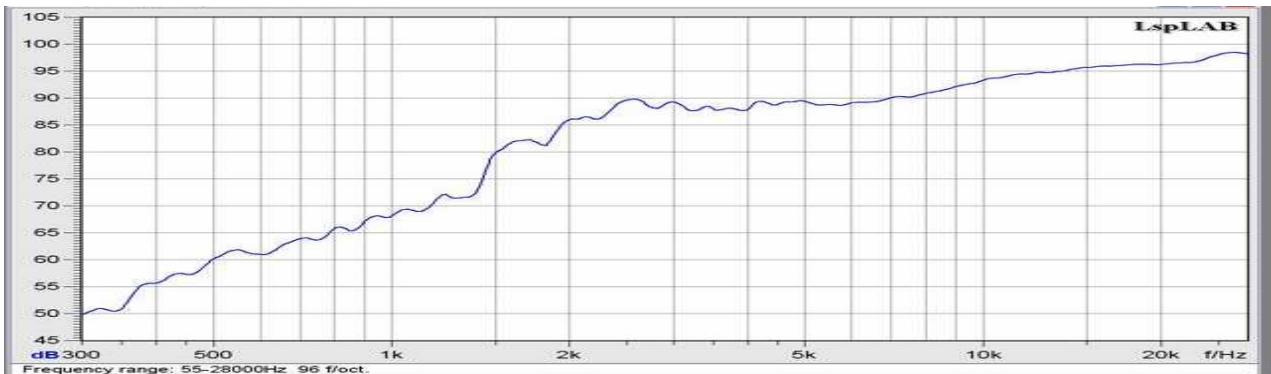
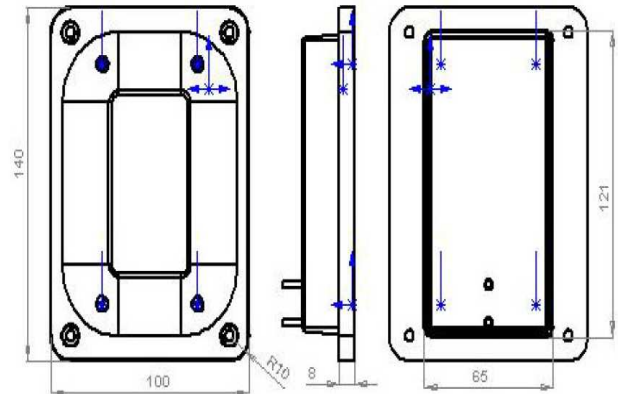
The Raidho Ribbon tweeter FTT75-25-8 is a unique sealed ribbon tweeter.

The tweeter employs an array of neodymium magnets to create an extremely powerful force field where an ultra thin membrane is suspended.

The membrane weighs less than 0.02 g.

Due to the extremely low mass the tweeter stores no energy and has no resonances.

The performance is extraordinary and the tweeter leaves absolutely no fingerprint on the speaker system.



Nonnominal impedance	8 Ohm	Vioco Coil resistance	8 ohms
Recommended frequency range	3000-50000 Hz		
Short term power handling	10 W		
Sensitivity (2.83V 1m) SPL	88 dB		
Vioco-Coil resistance	8 ohms		

Raidho Ribbon

FTT75-30-8

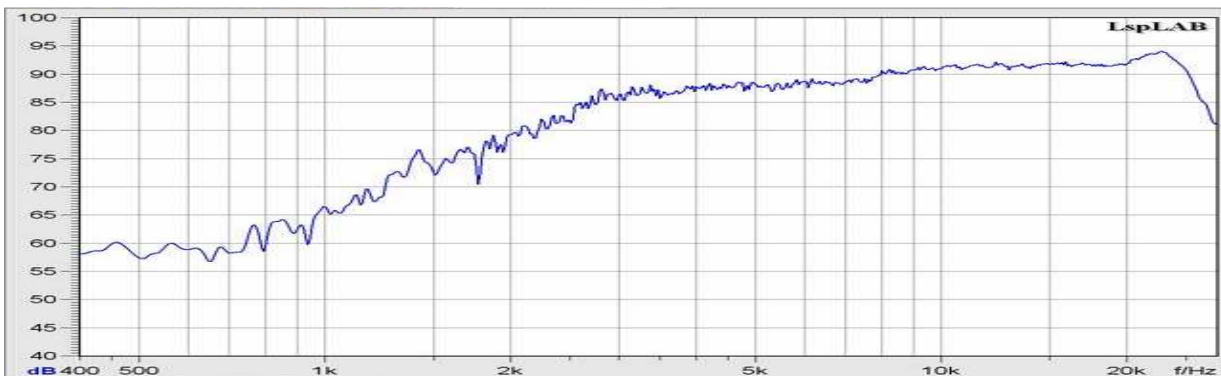
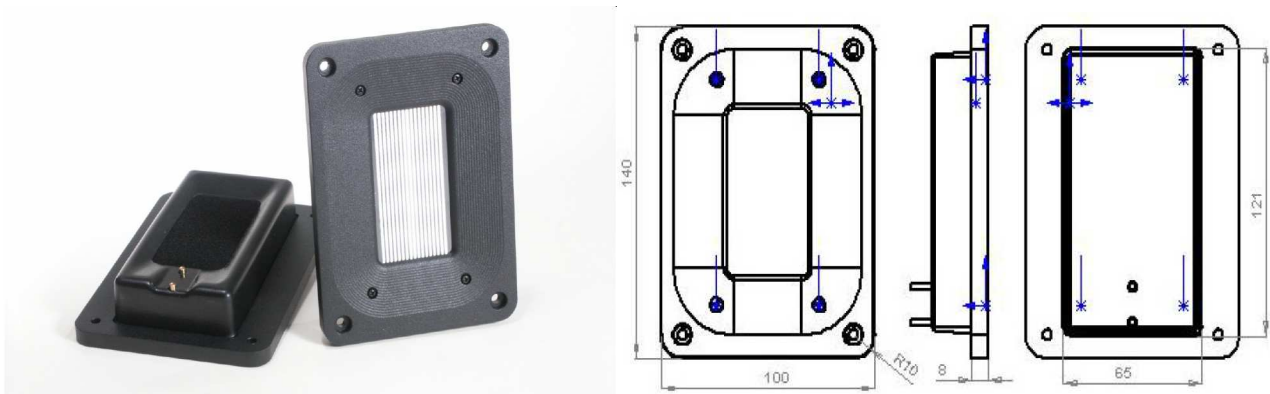
The Raidho Ribbon tweeter FTT75-30-8 is a unique sealed ribbon tweeter.

The tweeter employs an array of neodymium magnets to create an extremely powerful force field where an ultra thin membrane is suspended.

The membrane weighs less than 0.02 g.

Due to low mass the tweeter stores no energy and has no resonances.

The performance is extraordinary and the tweeter leaves absolutely no fingerprint on the speaker system.



Nonnominal impedance	8 Ohm	Voiced Coil resistance	8 ohms
Recommended frequency range	2000-50000 Hz		
Short term power handling	10 W		
Sensitivity (2.83V 1m) SPL	90 dB		
Voiced-Coil resistance	8 ohms		