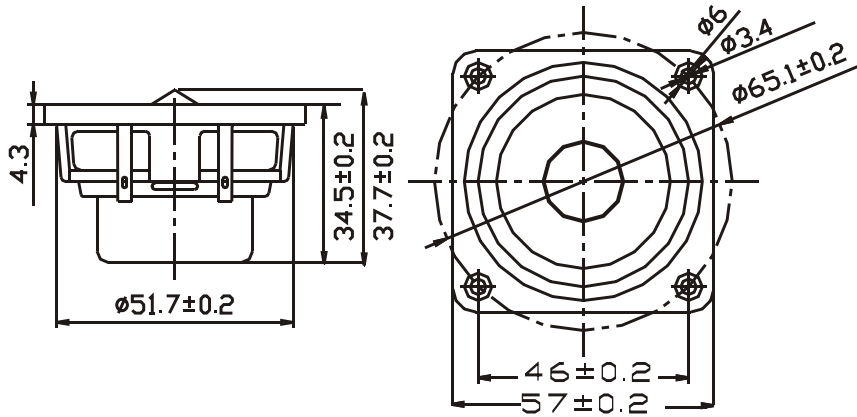


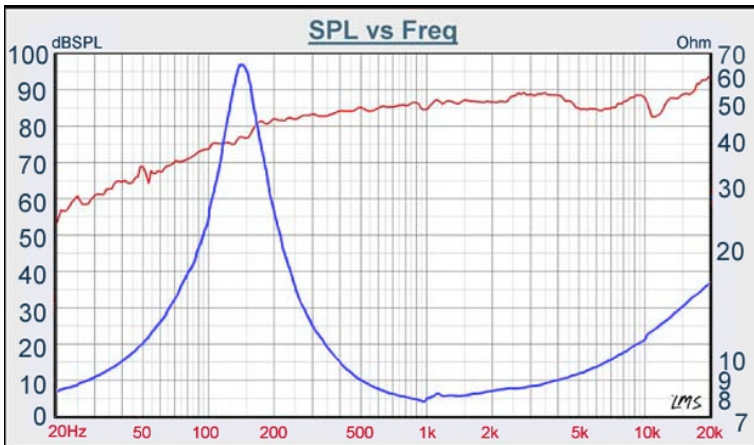
F SERIES

W2-802SD



- FULL RANGE DESIGN
- ABS BASKET, MAGNETICALLY SHIELDED
- PP CONE WITH R SHAPE TPR SURROUND
- NEODYMIUM MAGNET DESIGN
- GOOD FOR CAR, HOME THEATER, MULTIMEDIA APPLICATION
- SPECIAL ALUMINUM PHASE PLUG TO PROVIDE WIDER DISPERSION AND HEAT SINK

2" POLYCONE FULL RANGE



DIAPHRAGM MTL	PPM
SURROUND MTL	TPR
NOMINAL IMPEDANCE	8
DCR IMPEDANCE	6
SENSITIVITY 1W/1m	86 dB
FREQUENCY RESPONSE	135-20K Hz
FREE AIR RESONANCE	135 Hz
VOICE COIL DIAMETER	20.4 mm
AIR GAP HEIGHT	2.5 mm
RATED POWER INPUT	10 W
MAXIMUM POWER INPUT	20 W
FORCE FACTOR, BL	3.71TM
MAGNET WEIGHT (oz)	Neodymium
MOVING MASS	0.89g
FERROFLUID ENHANCED	No
SUSPENSION COMPLIANCE	1464.0120 MN ⁻¹
EFFECTIVE PISTON AREA	0.0013M ²
Levc	0.037 mH
Zo	63.35 ohm
X-max	1.1 mm
Vas	0.35 Litr
Qts	0.31
Qms	3.37
Qes	0.34



P.O. BOX 10-53 NEI HU, TAIPEI, TAIWAN
 VOICE 886.2.26570282 FAX 886.2.26580166