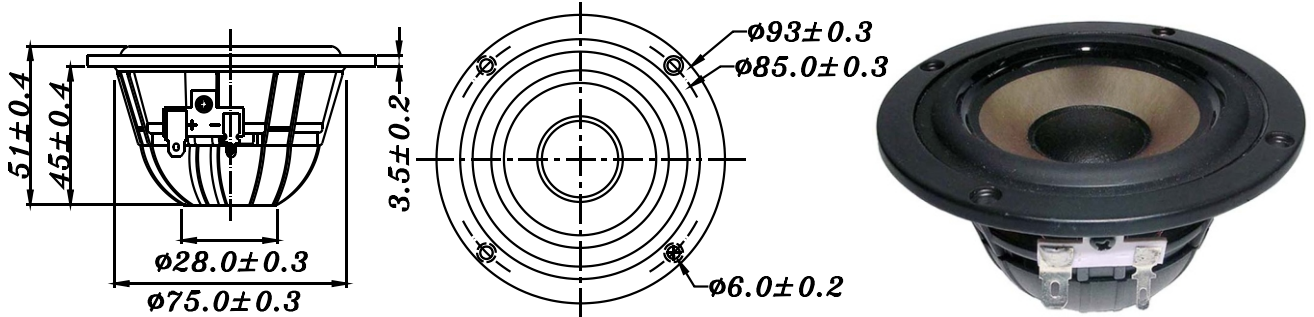


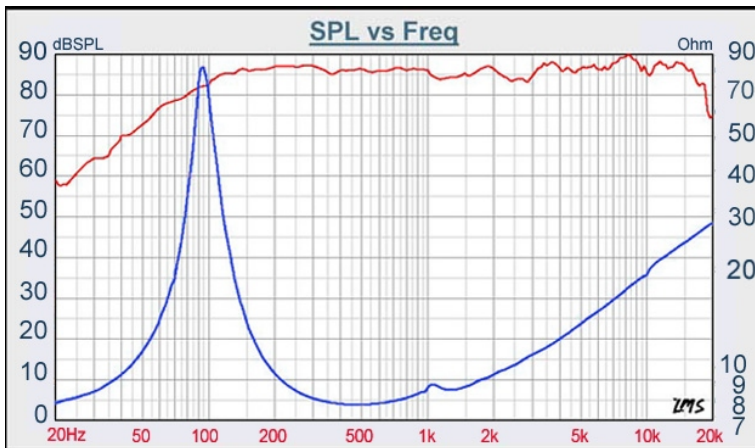
# F SERIES

# W3-881SJ



- NEODYMIUM MAGNET DESIGN
- FULL RANGE FREQUENCY RESPONSE
- DIE CAST BASKET
- PPM CONE WITH SANTOPRENE SURROUND
- MAGNETICALLY SHIELDED

## 3" PPM FULL RANGE



DIAPHRAGM MTL	Natural color PPM
SURROUND MTL	Santoprene
NOMINAL IMPEDANCE	8 Ω
DCR IMPEDANCE	6.6 Ω
SENSITIVITY 1W/1m	86 dB
FREQUENCY RESPONSE	100 - 20K Hz
FREE AIR RESONANCE	100 Hz
VOICE COIL DIAMETER	20.4 mm
AIR GAP HEIGHT	6.0 mm
RATED POWER INPUT	15 W
MAXIMUM POWER INPUT	30 W
FORCE FACTOR, BL	3.41 TM
MAGNET WEIGHT (oz)	Neodymium
MOVING MASS	1.97 g
FERROFLUID ENHANCED	No
SUSPENSION COMPLIANCE	991.50 MN <sup>-1</sup>
EFFECTIVE PISTON AREA	0.0032 M <sup>2</sup>
Levc	0.32 mH
Zo	54.18 ohm
X-max	0.2 mm
Vas	1.44 Litr
Qts	0.70
Qms	5.78
Qes	0.80



VOICE:886.2.26570282 FAX:886.2.26580166  
E-MAIL :info@tb-speaker.com