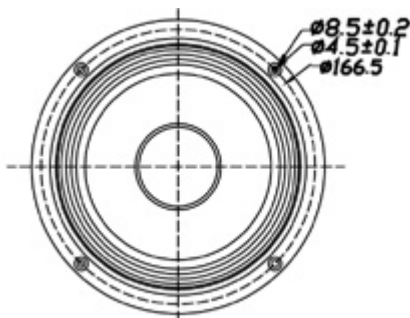
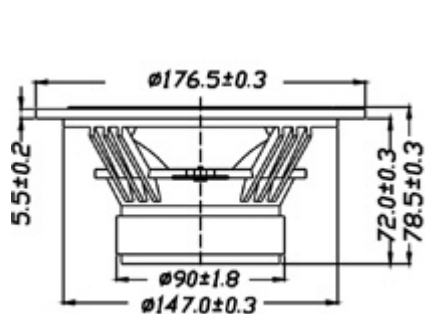


PA SERIES

W6-623C



6.5" PAPER WOOFER

- HIGH LINEARITY AND BALANCED EXCURSION DESIGN
- DIE CAST BASKET
- PAPER CONE WITH PATENTED RUBBER SURROUND
- CONEX SPIDER
- CCAW VOICE COIL WIRE
- INTENDED FOR MID-RANGE
- VENTED POLE PIECE

DIAPHRAGM MTL	Paper
SURROUND MTL	W Shape Rubber
NOMINAL IMPEDANCE	8 Ω
DCR IMPEDANCE	6 Ω
SENSITIVITY 1W/1m	89 dB
FREQUENCY RESPONSE	46-5K Hz
FREE AIR RESONANCE	46 Hz
VOICE COIL DIAMETER	25 mm
AIR GAP HEIGHT	6 mm
RATED POWER INPUT	30 W
MAXIMUM POWER INPUT	60 W
FORCE FACTOR, BL	7.4 TM
MAGNET WEIGHT (16oz)	451 g
MOVING MASS	13.8 g
FERRO FLUID ENHANCED	No
SUSPENSION COMPL.	858MN ⁻¹
EFFEC.PISTON AREA	0.014M ²
Levc	0.61mH
Zo	49.27ohm
X-max	4 mm
Vas	23.88 Litr.
Qts	0.39
Qms	3.18
Qes	0.44



VOICE:886.2.26570282 FAX:886.2.26580166
E-MAIL :info@tb-speaker.com