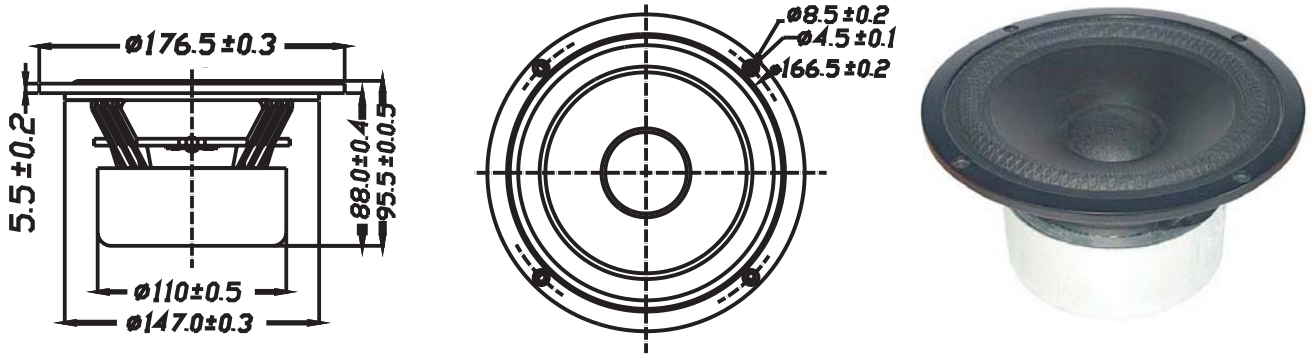


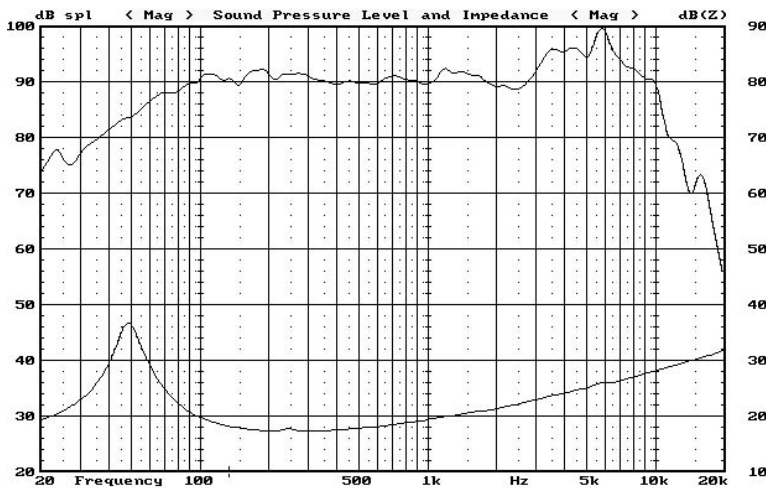
# PM SERIES

# W6-789S



- PPM CONE WITH STRUCTURED SANTOPRENE SURROUND
- DIE CAST BASKET
- INTENDED FOR BASS REFLEX ENCLOSURES
- VENTED POLE PIECE
- HIGH SENSITIVITY DESIGN (SPL=91dB)
- MAGNETICALLY SHIELDED

## 6.5" PPM. WOOFER



DIAPHRAGM MTL	PPM
SURROUND MTL	Structured Santoprene
NOMINAL IMPEDANCE	8
DCR IMPEDANCE	6
SENSITIVITY 1W/1m	91 dB
FREQUENCY RESPONSE	45 - 10K Hz
FREE AIR RESONANCE	45 Hz
VOICE COIL DIAMETER	25 mm
AIR GAP HEIGHT	6 mm
RATED POWER INPUT	15 W
MAXIMUM POWER INPUT	30 W
FORCE FACTOR, BL	5.36 TM
MAGNET WEIGHT ( 16 oz)	451 g
MOVING MASS	8 g
FERROFLUID ENHANCED	No
SUSPENSION COMPLIANCE	1341 MN <sup>-1</sup>
EFFECTIVE PISTON AREA	0.014 M <sup>2</sup>
X-max	4 mm
Vas	37 Litr
Qts	0.46
Qms	5.38
Qes	0.50

**TB** SPEAKERS

P.O. BOX 10-53 NEI HU, TAIPEI, TAIWAN  
 VOICE 886.2.26570282 FAX 886.2.26580166