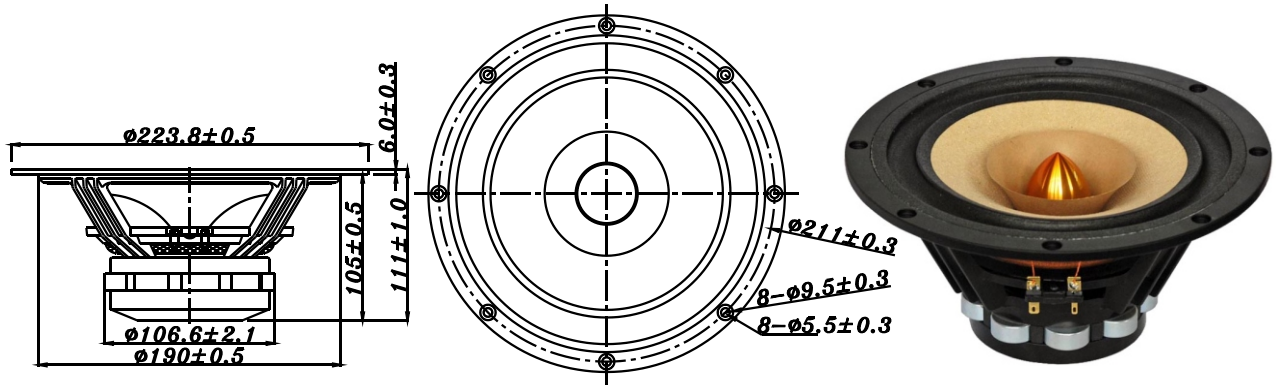


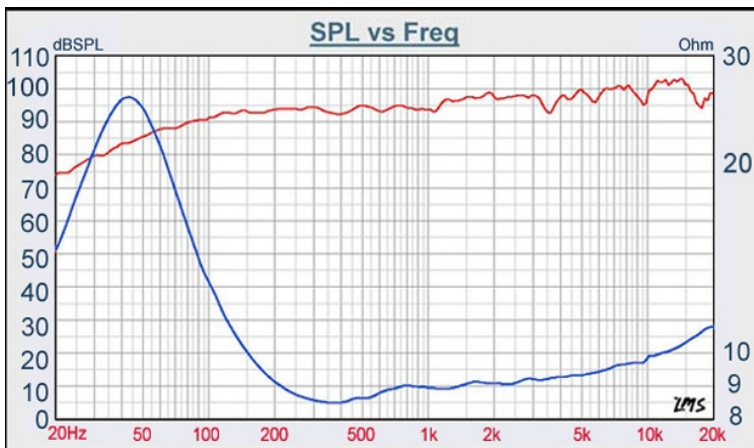
# F SERIES

# W8-1772



- 8" OF FULL RANGE SPEAKER DESIGN
- NEODYMIUM MAGNET SYSTEM, ALUMINUM PHASE PLUG
- UNDERHUNG DESIGN, VERY LOW 2<sup>nd</sup> AND 3<sup>rd</sup> DISTORTION (LOW THD)
- SPL=95dB / M / W, QTS=0.27
- PAPER CONE WITH FABRIC SURROUND

## 8" PAPER FULL RANGE



DIAPHRAGM MTL	Paper
SURROUND MTL	Fabric
NOMINAL IMPEDANCE	8 $\Omega$
DCR IMPEDANCE	6.8 $\Omega$
SENSITIVITY 1W/1M	95 dB
FREQUENCY RESPONSE	42-20K Hz
FREE AIR RESONANCE	42 Hz
VOICE COIL DIAMETER	38.5 mm
AIR GAP HEIGHT	10 mm
RATED POWER INPUT	30 W
MAXIMUM POWER INPUT	60 W
FORCE FACTOR, BL	7.12 TM
MAGNET WEIGHT ( oz)	Neodymium
MOVING MASS	10.11 g
FERROFLUID ENHANCED	No
SUSPENSION COMPLIANCE	1374 $\mu\text{MN}^{-1}$
EFFECTIVE PISTON AREA	0.022 $\text{M}^2$
Levc	0.009 mH
Zo	26 ohm
Xmax	3 mm
Vas	94.45 Liter
Qts	0.27
Qms	1.02
Qes	0.36



VOICE:886.2.26570282 FAX:886.2.26580166  
E-MAIL :info@tb-speaker.com